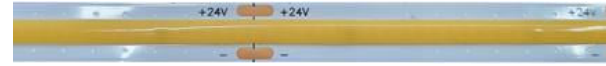


inspired LED 24V COB LED Tape 480 LED/m

Flexible LED Strip 

Inspired LED's **24 Volt COB Flexible Strip Lights** are a simple, cost-effective solution for various task lighting applications. The higher density LEDs are encapsulated under epoxy creating seamless light uniformity. The higher density of LED diodes emits a strong light intensity while maintaining efficiency. Available in 12 Meter reels or bulk strips, these unique strips can easily be cut and terminated with the **iDea Series Screw Terminal Solderless Connector** for easy DIY installation. Energy efficient, long-lasting, and dimmable with compatible systems, Inspired LED COB flex strips are the perfect option for any lighting application!

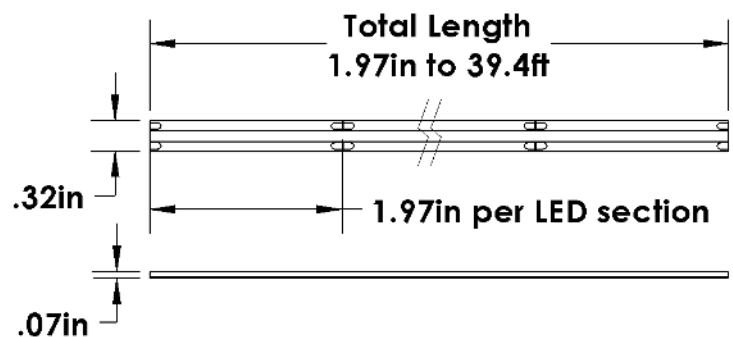


Specifications:	Voltage	LED Density	Wattage	Luminosity	Color Temp	CRI
Warm White	24VDC	144 LEDs/ft., 480 LEDs/m	3.15W/ft.	320 lm/ft.	3000K	91
Pure White	24VDC	144 LEDs/ft., 480 LEDs/m	3.15W/ft.	340 lm/ft.	4000K	91

Product Features:

- Chip-on-Board (COB) LEDs
- 8mm flex, cut points available every 1.97" (24 LEDs)
- Available in bulk pre-cut lengths or full 12m reels
- Class 2 DC plug-in connector (3.5 x 1.3mm), iDea Series Solderless Connectors or 18AWG-22AWG direct soldered leads available
- 3M adhesive mounting to almost any flat surface
- Dimmable with compatible systems
- Rated to last up to 100,000 hours
- CSA C22.2 No. 250.0-08/ANSI/UL Standard 1598, 8750
- **To be installed in accordance with NEC, using Class 2 24V power supply or constant voltage transformer only!**

Product Dimensions:



**Dimensions show in inches*

Power Requirements:

Power Source	Max Length
20W Transformer	60" (15.9 W)
40W Transformer	126" (33W)
60W Transformer	183" (48W)
3.75 AMP (90W)	274" (72W)
96W Transformer	292" (76.8W)
150W Transformer	457" (120W)
200W Transformer	609" (160W)
300W Transformer	914 (240 W)

**70% brightness at 130". Longer strips should be powered from the center to avoid further voltage drop.*

Installation Instructions:

1. Clean desired mounting surface(s) and test all products prior to installation.
2. Terminate iDea Series Screw Terminal Connector or solder 18AWG-22AWG wire directly to LED strip copper pads.
3. Temporarily mount LED flex strips using scotch or painters tape.
4. If using a low-voltage in-line switch or dimmer, connect the accessory to the LED strip using a low-voltage cable.
4. Connect 12VDC Class 2 Power Supply to in-line accessory or LED strip.
5. Test lighting system. When satisfied with the placement, peel adhesive backing from components and press firmly to adhere to surface.

Troubleshooting: *If LEDs are flickering, double check connection to be sure flex is fully inserted and secured, if no lights turn on check polarity to be sure they are properly matched.*



inspiredled.com



orders@inspiredled.com



(480) 941-4286