

inspired LED

RGBW Multi-Zone Remote

The **RGBW Multi-Zone Wireless Remote** is a convenient solution for controlling Inspired LED's RGBW color changing systems with ease. Combined with the RGBW Multi-Zone receiver (sold separately), 24V DC power supplies, and RGBW flex strips, this device puts a range of brightness levels and colors at your fingertips. Quick function buttons allow the system to be turned on and off or cycled through preprogrammed modes both independently and in sync.

Product Features:

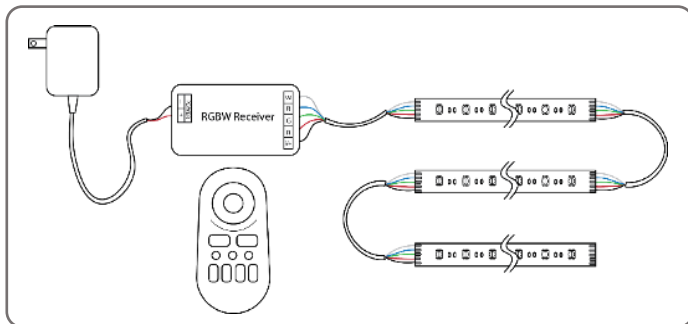
- RF range up to 30 meters
- Compatible with RGBW multi-zone wireless receivers (***sold separately***), controls up to four zones for versatile system design
- Color wheel 0-100% dimming, quick functions (On, Off, Mode, Speed+, Speed-), smart memory retains most recent settings
- Requires two AAA batteries (included)

Specifications:



| | |
|--------------------|--------------------------|
| Working Voltage | 3V (two AAA batteries) |
| Max Load Current | 6A / channel , 10A total |
| Max Standby | <20uA |
| Transmitting Power | 6dBm |
| Frequency | 2.4GHZ |

Wiring Diagram:



Instructions:

To Install Receiver-

1. Lay out RGBW strips in desired system orientation.
2. Connect cable from LEDs to side of receiver marked "**V+RGBW**" by first stripping back wires about 1/4" and loosening screw terminals with small flathead screw driver.
3. Match polarities (V+ =live, R=red, G=green, B=blue W=white) inserting each into appropriate terminal, then retighten screws.
4. Connect 24V DC power supply to receiver side marked "**power**". Plug directly into female connector, **or** remove pigtail, strip ends of power supply cable, match +/- polarity to terminals, and retighten screws.



SKU #3846

For use with SKU #3845

Mechanical:

Battery indicator

Color Ring

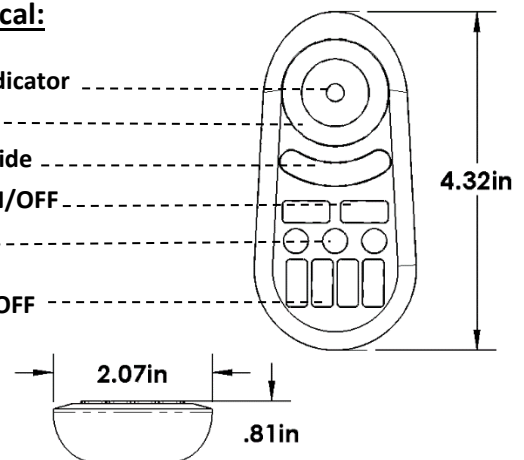
Dimmer Slide

Master ON/OFF

Mode

Speed +/-

Zone ON/OFF



To Pair Remote to Receiver-

1. Connect 24V DC power supply to side of receiver marked "**power**".
2. Within 3 sec. of connecting power, press desired zone button **once**.
3. Connected lights will blink 3 times to indicate successful pairing.
4. Repeat steps 1-3 to pair additional receivers.
5. Once complete, test each remote for control.

To Use Remote-

1. Use (ON)/(OFF) buttons to quickly turn RGBW system on and off
2. Rotate finger around color wheel to browse colors, dim or brighten LEDs using slide bar.
3. Cycle through modes using the (M) button, use (S-) to decrease the pattern's speed or (S+) to increase speed.
4. Control individual zones using (1) (2) (3) (4) buttons, up=ON.

To Un-pair Remote from Receiver-

1. Connect 24V DC power supply to side of receiver marked "**power**".
2. Within 3 seconds of connecting power, quickly press and **hold** the connected zone button for 5 seconds.
3. Lights will blink ten times to indicate successful un-pairing of remote.

Troubleshooting-

1. If lights turn on but do not dim or change color, ensure all polarities are properly matched. Reversal will prevent dimming.
2. Faint red light behind central button indicates power, if no light is visible when using remote, replace batteries.



inspiredled.com



orders@inspiredled.com



(480) 941-4286