

ML60S12DC

Class 2 Magnetic Dimmable Transformer

Inspired LED #3552

UPC#: 61693283552-0

Outdoor Black Powder Coated Steel Enclosure

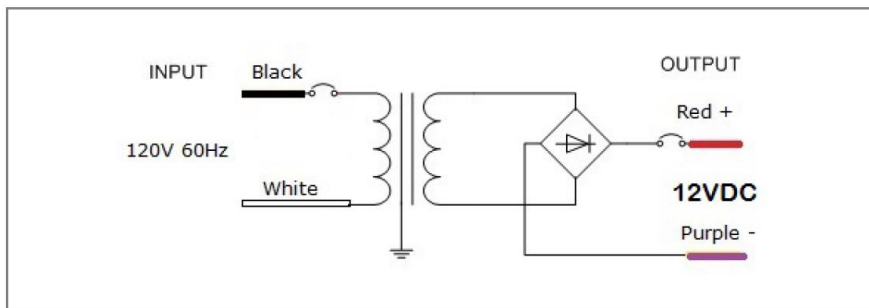
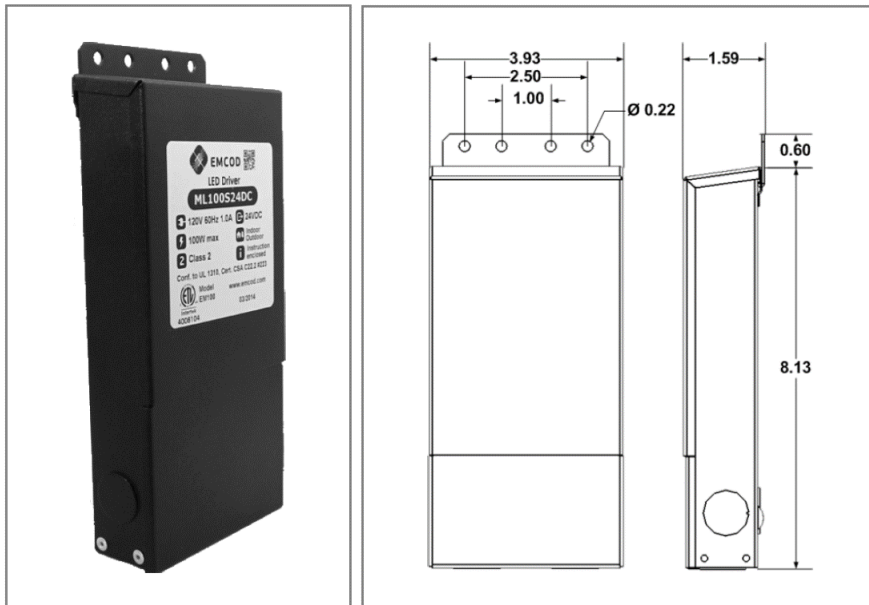
Single Circuit: **12 VDC**

Total Wattage: **60W max**

Input Voltage: **120V 60Hz**



www.emcod.com



Transformer

Dimmable with any low voltage magnetic dimmer
(provided minimum load is achieved)

Temperature class B (130°C)

18AWG 600V Input leads

18AWG 300V Output leads

Leads max. operational temperature 150°C

Thermal self reset primary breaker 1.25A

Thermal self reset secondary breaker 5A

Housing

60W transformer enclosed in Black Powder Coated Steel,
NEMA 3R rated

5 knockouts sizes for 3/8 inch screw cable connectors

Enclosure Temperature does not exceed 75°C at 45°C ambient
and fully loaded

Dimensions: 8.13" (H) x 3.93" (W) X 1.59" (D)

Weight: 4 lbs 2 oz

Electrical Parameters

Input Voltage	120V 60Hz
Max. input current at full load:	0.6A
Output voltage without load:	13.5VDC
Output voltage fully loaded:	11.5VDC
Max. Total Wattage:	60W
Max. Output Current:	5A
Efficiency:	85%